

4414 F

## DC axial compact fan



**GASTEIZ COMPONENTES ELECTÓNICOS**  
C/Navarro Villoslada, 4 Bajo 31003 Pamplona  
T: 948 245050 - 696 488800 Fax: 948 237217  
[electronica@gasteiz-ce.com](mailto:electronica@gasteiz-ce.com) - [WWW.GASTEIZ-CE.COM](http://WWW.GASTEIZ-CE.COM)



### ebm-papst St. Georgen GmbH & Co. KG

Hermann-Papst-Str. 1  
D-78112 St. Georgen  
Phone +49 (0) 7724 81-0  
Fax +49 (0) 7724 81-1309  
[info2@de.ebmpapst.com](mailto:info2@de.ebmpapst.com)  
[www.ebmpapst.com](http://www.ebmpapst.com)

### Nominal data

Type	4414 F	
Nominal voltage	VDC	24
Nominal voltage range	VDC	12 .. 28
Speed	min <sup>-1</sup>	2900
Power input	W	5.0
Min. ambient temperature	°C	-20
Max. ambient temperature	°C	60
Air flow	m <sup>3</sup> /h	170
Sound power level	B	5.3
Sound pressure level	dB(A)	43

ml = Max. load · me = Max. efficiency · fa = Running at free air · cs = Customer specs · cu = Customer unit  
Subject to alterations

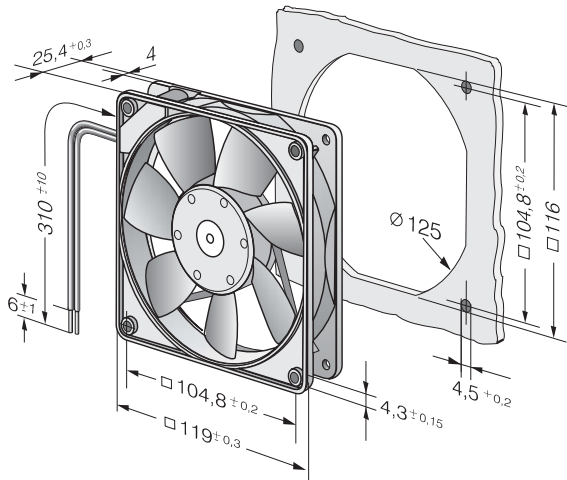


**Technical features**

<b>Mass</b>	0.175 kg
<b>Dimensions</b>	119 x 119 x 25 mm
<b>Material of impeller</b>	Fibreglass-reinforced PA plastic
<b>Housing material</b>	Fibreglass-reinforced PBT plastic
<b>Direction of air flow</b>	Air exhaust over bars
<b>Direction of rotation</b>	Left, looking at rotor
<b>Bearing</b>	Ball bearings
<b>Lifetime L10 at 40 °C</b>	60000 h
<b>Lifetime L10 at maximum temperature</b>	37500 h
<b>Connection line</b>	Single strands AWG 24, TR 64, bared and tin-plated.
<b>Motor protection</b>	Protected against reverse polarity and locking.
<b>Locked-rotor protection</b>	Blocking and overload protection
<b>Approval</b>	VDE, CSA, UL, CE
<b>Option</b>	Speed signal, alarm signal



## Product drawing



Charts: Air flow

